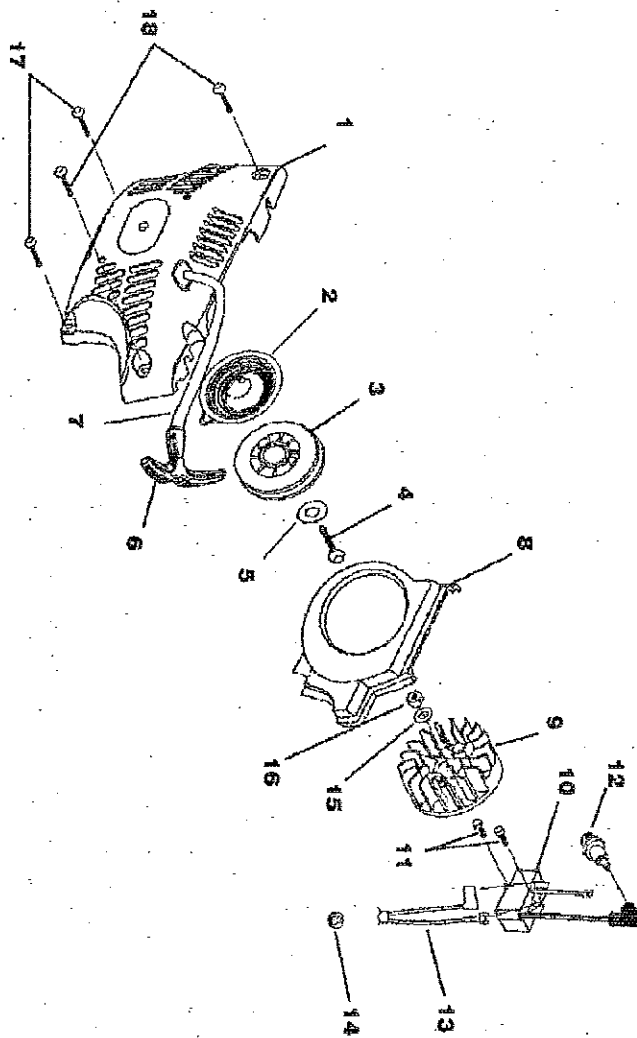


# Homelite®

## i 4550 b

### UT 10862

Starter - Ignition

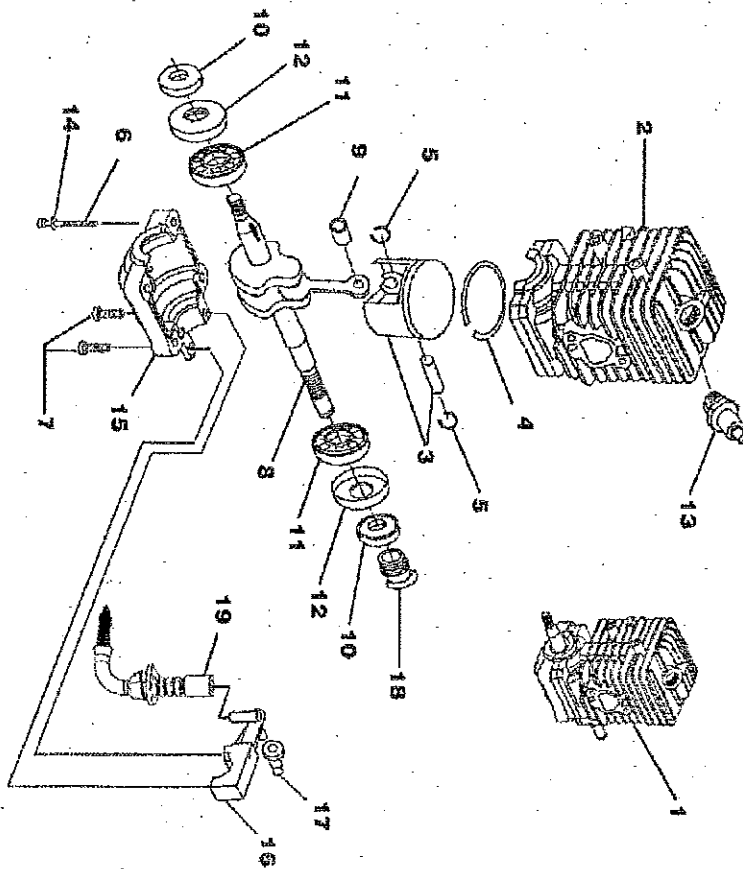


# Homelite®

## i 4550 b

### UT 10862

Engine Internal - Oil Pump

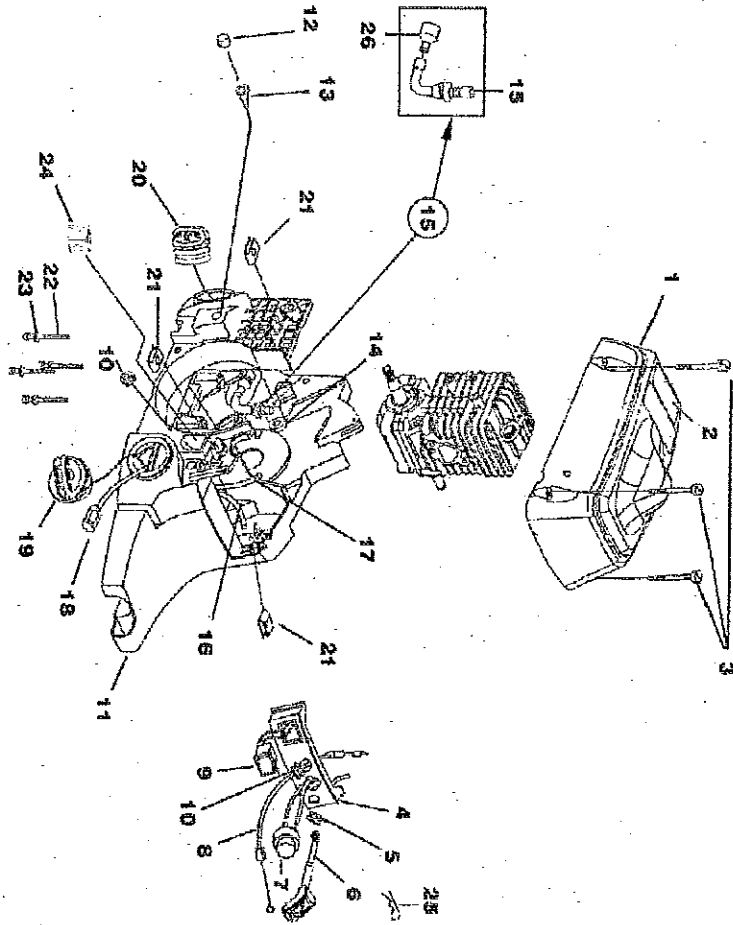


# Homelite®

## i 4550 b

### UT 10862

Engine Housing - Fuel Tank - Oil Tank

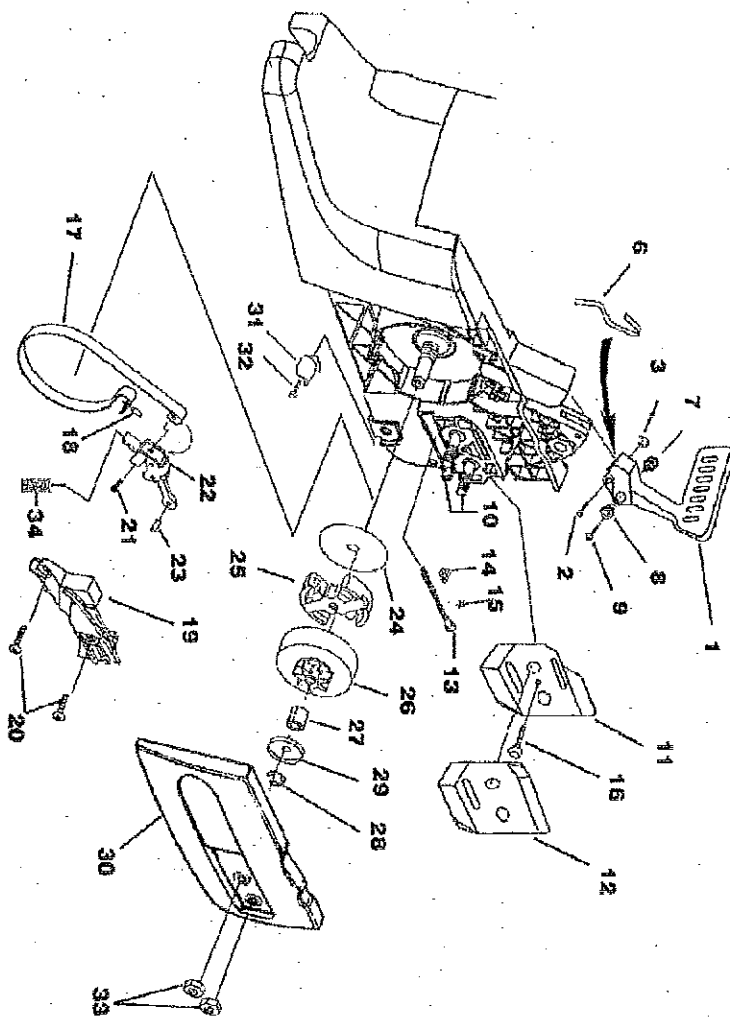


**Homelite®**

**i 4550 b**

**UT 10862**

Clutch - Chain Brake - Drive Case Cover

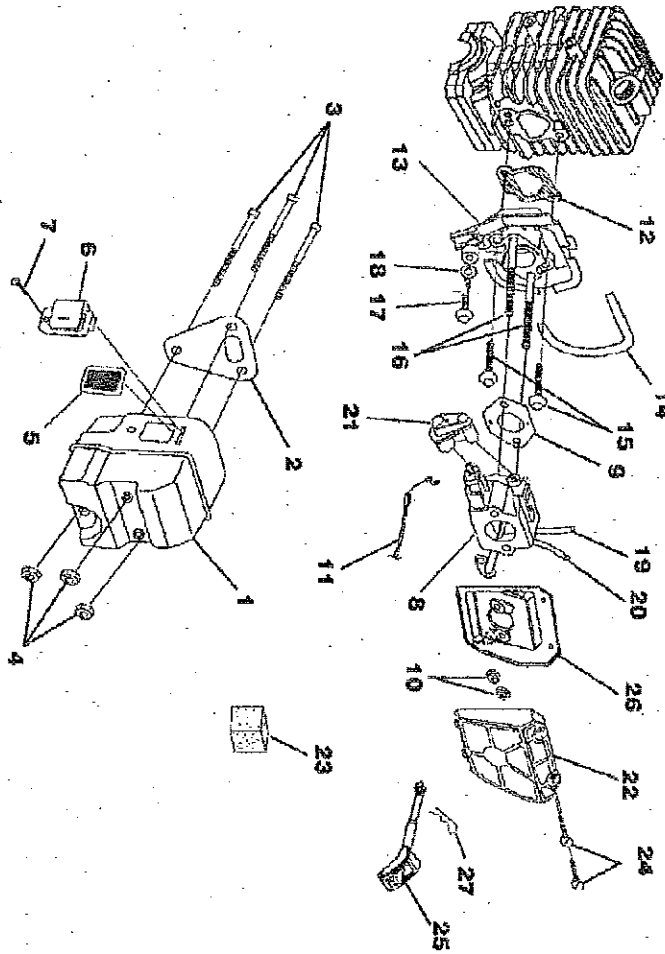


**Homelite®**

**i 4550 b**

**UT 10862**

Carburetor - Muffler - Air Filter

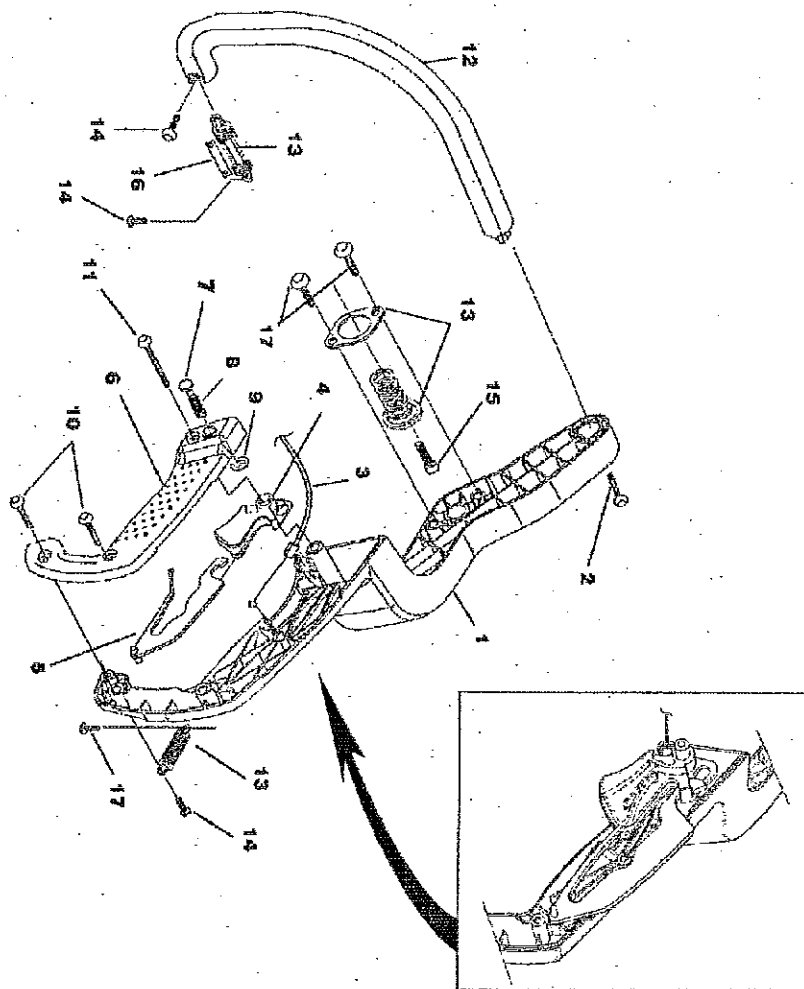


**Homelite®**

**i 4550 b**

**UT 10862**

Handles



**RECOMMENDED RETAIL PRICE  
W/O TAX \* EXW DUISBURG / PARIS**

**Homelite®**

**I 4550 b CHAIN SAW UT 10862**

**carburetor - muffler - air filter**

Position	Article-no	Description	Qty	Price w/o tax
1	UP06752	MUFFLER KIT (33/38CC); INCLUDES ITEMS 2-7	1	€ 13,99
1	UP00126	MUFFLER KIT (45CC)	1	€ 15,57
2	UP04183	MUFFLER GASKET	1	€ 0,43
3	UP04049	SCREW-SQUARE HD.	3	€ 1,26
4	UP04059	NUT-LOCKING HEX (10-32) TORQUE SPECS 50-60 IN/LBS; 5.6-6.7 NM	3	€ 0,12
5	UP04203	SCREEN, SPARK	1	€ 3,68
6	UP04204	DEFLECTOR, MUFFLER (33/38CC)	1	€ 5,06
6	UP04169	DEFLECTOR, MUFFLER (45CC)	1	€ 5,24
7	UP04244	SCREW	1	€ 0,75
8	UP06737	CARBURETOR ASSY (33 & 38CC); INCLUDES ITEMS 9-10	1	€ 36,13
8	UP00125	CARBURETOR ASSY (45CC)	1	€ 36,22
8	AO9160	CARBURETOR ASSY (INT'L 33CC, INT'L 38CC)	1	€ 37,57
8	UP00499	CARBURETOR ASSY (INT'L 41CC, INT'L 45CC)	1	€ 36,82
9	UP04094	CARBURETOR GASKET	1	€ 2,25
10	UP04217	FLANGE NUT (10-24) TORQUE SPECS 30-40 IN/LBS; 3.4-4.5 NM	2	€ 0,66
11	UP04218	THROTTLE CABLE	1	€ 5,16
12	UP04184	GASKET, HEAT DAM	1	€ 0,71
13	UP04173	HEAT DAM	1	€ 9,74
14	UP04191	SEAL, HEAT DAM	1	€ 1,03
15	UP04084	SCREW, TRUSS HD. TAPITTE (10-24 X 7/8") TORQUE SPECS 45-55 IN/LBS; 5.0-6.2 NM	2	€ 0,21
16	UP04189	SCREW, CARBURETOR	2	€ 0,43
17	UP03897	SCREW, THREAD FORM (10-14 X 1/2") TORQUE SPECS 30-40 IN/LBS; 3.4-4.5 NM	1	€ 0,07
18	UP03867	WASHER, RETAINING	1	€ 2,25
19	UP04211	FUEL LINE (TANK TO CARBURETOR 8 1/2")	1	€ 3,37
20	UP04209	FUEL LINE (CARBURETOR TO PURGE BULB 4")	1	€ 2,44
21	UP04171	CARBURETOR GROMMET	1	€ 3,03
X	UP06753	AIR FILTER KIT INCLUDES ITEMS 22-24	1	€ 5,59
22	UP04533	AIR FILTER COVER	1	€ 5,91
23	UP04208	PRE FILTER (IN ENGINE HOUSING)	1	€ 0,22
24	UP04235	SCREW-SLOTTED PAN HD. (8-16 X 5/8") TORQUE SPECS 15-20 IN/LBS; 1.7-2.3 NM	2	€ 0,66
25	UP04213	ROD, CHOKE	1	€ 1,87
26	UP04178	AIR FILTER PLATE	1	€ 4,31
27	UP04227	SPRING CLIP (CHOKE ROD)	1	€ 0,66

**clutch - chain brake - drive case cover**

Position	Article-no	Description	Qty	Price w/o tax
1	UP06568	HAND GUARD KIT INCLUDES ITEMS 2-5	1	€ 14,04
2	UP04214	HAND GUARD ACTUATING PIN	1	€ 2,16
3	UP04056	RETAINING RING	1	€ 0,51
4	UP04207	HAND GUARD LINK (NON-CHAIN BRAKE UNITS-NOT SHOWN)	1	€ 2,25
5	UP04090	ROLL PIN (NON-CHAIN BRAKE UNITS-NOT SHOWN)	1	€ 2,44
6	UP04224	SPRING, HANDGUARD	1	€ 1,87
7	UP04202	PIVOT, L.H.	1	€ 2,06
8	UP04201	PIVOT, R.H.	1	€ 2,06
9	UP04240	SCREW, HEX SOCKET HD. (8-32 X 5/8") TORQUE SPECS 25-35 IN/LBS; 2.8-3.9 NM	1	€ 0,66
10	UP04180	GUIDE BAR BOLT	2	€ 1,13
X	UP06966	GUIDE BAR ADJUSTING KIT INCLUDES ITEMS 11-15	1	€ 4,51
11	UP04206	PLATE, GUIDE BAR	1	€ 1,18
12	UP04085	PLATE, GUIDE BAR	1	€ 1,18
13	UP04187	SCREW, GUIDE BAR ADJUSTING	1	€ 0,66
14	UP04186	PIN, GUIDE BAR ADJUSTING	1	€ 0,66
15	UP04056	RING, RETAINING	1	€ 0,51
16	UP04082	SCREW, THREAD FORM (6-19 X 1/2") TORQUE SPECS 8-18 IN/LBS; 9-2.0 NM	1	€ 2,25
17	A08680A	CHAIN BRAKE KIT INCLUDES ITEMS 18-21	1	€ 9,03
18	UP04181	PIN, ROLL	1	€ 1,87
19	UP04309	COVER, CHAIN BRAKE	1	€ 2,06
20	UP04082	SCREW, PAN HD. (6-19 X 1/2") TORQUE SPECS 10-20 IN/LBS; 1.1-2.3 NM	2	€ 2,25
21	UP04239	SCREW, PAN HD. (8-16 X .320) TORQUE SPECS 20-30 IN/LBS; 2.3-3.4 NM	1	€ 0,50
22	UP04223	CHAIN BRAKE LINK	1	€ 3,85

23	UP04090	PIN, ROLL	1	€ 2,44
24	UP04182	THRUST WASHER	1	€ 1,69
25	UP06727	CLUTCH & HARDWARE TORQUE SPECS 130-180 IN/LBS; 14.7-20.3 NM	1	€ 12,84
26	UP06967	SPROCKET, DRUM (3/8 PITCH) INCLUDES ITEMS 27-28	1	€ 10,09
26	UP04560	SPROCKET, DRUM (.325 PITCH) (I3850B & 45CC ONLY)	1	€ 20,96
27	UP04175	BEARING, NEEDLE	1	€ 2,10
28	UP04228	RING, RETAINING	1	€ 0,16
29	UP04179	WASHER, CUPPED	1	€ 1,03
30	UP06975	DRIVE CASE COVER INCLUDES ITEMS 31-32	1	€ 18,28
31	UP04088	STOP, CHAIN	1	€ 0,76
32	UP03900	SCREW, THREAD FORM (10-14 X 3/4") TORQUE SPECS 30-50 IN/LBS; 3.4-5.6 NM	1	€ 2,25
33	UP04058	NUT, HEX TORQUE SPECS HAND TIGHT	2	€ 2,47
34	UP04032	SPRING, COMPRESSION	1	€ 2,25

### engine internal - oil pump

Position	Article-no	Description	Qty	Price w/o tax
1	UP03119	SHORT BLOCK COMPLETE (33CC); INCLUDES ITEMS 2-12	1	€ 111,47
1	UP04161	SHORT BLOCK COMPLETE (38CC)	1	€ 127,40
1	UP04166	SHORT BLOCK COMPLETE (45CC)	1	€ 143,32
2	A08666	CYLINDER KIT (33CC)	1	€ 89,38
2	A08667	CYLINDER KIT (38CC)	1	€ 97,69
2	UP00129	CYLINDER KIT (45CC)	1	€ 79,10
X	UP04183	GASKET, MUFFLER (NOT SHOWN)	1	€ 0,43
X	UP04184	GASKET, HEAT DAM (NOT SHOWN)	1	€ 0,71
X	UP04094	GASKET, CARBURETOR (NOT SHOWN)	1	€ 2,25
3	UP06971	PISTON & PIN (33CC); INCLUDES ITEMS 4-5	1	€ 33,72
4	UP04177	PISTON RING (33CC)	1	€ 1,82
5	UP04051	RING, RETAINING	2	€ 0,22
3	UP06972	PISTON & PIN (38CC); INCLUDES ITEMS 4-5	1	€ 37,66
4	UP04190	PISTON RING (38CC)	1	€ 1,82
5	UP04051	RING, RETAINING	2	€ 0,22
3	UP00130	PISTON & PIN (45CC); INCLUDES ITEMS 4-5	1	€ 20,88
4	UP04231	PISTON RING (45CC)	1	€ 2,72
5	UP04051	RING, RETAINING	2	€ 0,22
6	UP04083	SCREW, CAP-SOCKET HD. (10-24 X 2") TORQUE SPECS 65-75 IN/LBS; 7.3-8.5 NM; REQUIRED LOCTITE 262 RED	4	€ 0,37
7	UP03898	SCREW, PAN HD., PLASTITE (8-16 X 5/8") TORQUE SPECS 15-20 IN/LBS; 1.7-2.3 NM	2	€ 0,21
8	UP03118	CRANKSHAFT & ROD ASSY (33 & 38CC); INCLUDES ITEMS 9-12	1	€ 92,54
8	UP04165	CRANKSHAFT & ROD ASSY (45CC)	1	€ 98,35
9	UP04174	BEARING, NEEDLE INCLUDES ITEMS 10-12	1	€ 2,90
10	UP04047	SHAFT SEAL	2	€ 1,16
11	UP04176	BEARING & RUBBER CASE INCLUDES ITEM 12	2	€ 7,40
12	UP04046	RUBBER CASE	2	€ 2,25
13	UP04093	SPARK PLUG TORQUE SPECS 120-180 IN/LBS; 13.6-20.3 NM	1	€ 9,07
14	UP04087	WASHER	4	€ 2,25
15	UP04172	LOWER CRANKCASE (33 & 38CC)	1	€ 19,44
15	UP04232	LOWER CRANKCASE (45CC)	1	€ 19,49
16	UP06602	OIL PUMP KIT INCLUDES ITEMS 17-19	1	€ 18,78
17	UP04185	GROMMET, OIL OUTLET	1	€ 1,87
18	UP04188	LEFT HAND WORM	1	€ 1,82
19	UP04048	OIL INTAKE TUBE W/FILTER	1	€ 2,93

### engine housing - fuel tank - oil tank

Position	Article-no	Description	Qty	Price w/o tax
1	A08692	CYLINDER COVER KIT INCLUDES ITEMS 2-3	1	€ 9,03
2	UP04212	SAFETY DECAL	1	€ 1,03
3	UP04219	SCREW-SLOTTED PAN HD. TORQUE SPECS 15-25 IN/LBS; 1.7-2.8 NM	3	€ 0,43
4	UP04193	CONTROL PANEL	1	€ 0,87
5	UP04052	GROMMET	1	€ 2,47
6	UP04213	ROD, CHOKE	1	€ 1,87
7	UP04033	BULB, AIR PURGE	1	€ 3,60
8	UP04218	THROTTLE CABLE	1	€ 5,16
9	UP04197	SWITCH, ROCKER	1	€ 2,29
10	UP04215	GROMMET - SPLIT	2	€ 0,46
11	UP06754	ENGINE HOUSING INCLUDES ITEMS 12-20	1	€ 59,18
12	UP04205	ELEMENT, FILTER (BRONZE)	2	€ 0,66
13	UP04045	DUCK BILL VALVE	2	€ 0,76
14	UP04185	OIL OUTLET GROMMET	1	€ 1,87
15	UP04048	OIL INTAKE TUBE	1	€ 2,93
16	UP04210	RUBBER TUBING (5 1/2")	1	€ 2,25



17	UP04211	RUBBER TUBING (8 1/2")	1	€ 3,37
18	UP03871	FUEL FILTER	1	€ 2,25
19	DA07590	FUEL CAP W/ RETAINER	1	€ 3,88
20	DA07591	OIL CAP W/ RETAINER	1	€ 3,88
X	UP04054	OIL FILTER (NOT SHOWN)	1	€ 4,50
X	UP04180	GUIDE BAR BOLT (NOT SHOWN)	2	€ 1,13
21	UP04221	SPEED NUT ("U-TYPE")	3	€ 0,66
22	UP04083	SCREW, CAP-SOCKET HD. (10-24 X 2") TORQUE SPECS 65-76 IN/LBS; 7.3-8.5 NM	4	€ 0,37
23	UP04087	WASHER	4	€ 2,25
24	UP04208	PRE FILTER	1	€ 0,22
25	UP04227	SPRING CLIP (CHOKE ROD)	1	€ 0,66
26	UP04054	OIL FILTER	1	€ 4,50

## handles

Position	Article-no	Description	Qty	Price w/o tax
1	A08675	REAR HANDLE KIT INCLUDES ITEMS 2-11	1	€ 21,28
2	UP04234	SCREW-PAN HD. (12-14 X 1 1/2") TORQUE SPECS 40-50 IN/LBS; 4.5-5.6 NM	1	€ 0,84
3	UP04218	THROTTLE CABLE	1	€ 5,16
4	UP04195	TRIGGER, THROTTLE	1	€ 0,76
5	UP04196	THROTTLE LOCK OUT	1	€ 4,40
6	A08683	HANDLE COVER KIT INCLUDES ITEMS 7-10	1	€ 5,94
7	UP04199	THROTTLE LOCK PIN	1	€ 1,59
8	UP04226	SPRING, COMPRESSION	1	€ 0,75
9	UP04050	RING, RETAINER	1	€ 0,25
10	UP03900	SCREW, THREAD FORM (10-14 X 3/4") TORQUE SPECS 30-40 IN/LBS; 3.4-4.5 NM	2	€ 2,25
11	UP04238	SCREW, THREAD FORM (10-14 X 1 3/8") TORQUE SPECS 30-40 IN/LBS; 3.4-4.5 NM	1	€ 1,13
12	UP06973	FRONT HANDLE KIT	1	€ 23,91
X	UP04234	SCREW-PAN HD. (12-14 X 1 1/2") [SEE NO. 2 ABOVE]	1	€ 0,84
13	UP08007	ISOLATOR KIT INCLUDES 14-16	1	€ 3,29
14	UP04237	SCREW, TRUSS HD. (10-14 X 5/8") TORQUE SPECS 30-40 IN/LBS; 3.4-4.5 NM	3	€ 1,03
15	UP04233	SCREW, TRUSS HD. (10-24 X 5/8") TORQUE SPECS 40-50 IN/LBS; 4.5-5.6 NM	1	€ 0,66
16	UP04200	LIMITER, ISOLATOR	1	€ 1,87
17	UP03897	SCREW, THREAD FORM (10-14 X 1/2") TORQUE SPECS 30-40 IN/LBS; 3.4-4.5 NM	3	€ 0,07

## starter - ignition

Position	Article-no	Description	Qty	Price w/o tax
1	UP06749	STARTER KIT INCLUDES ITEMS 2-7	1	€ 21,82
2	UP04092	SPRING & CONTAINER	1	€ 7,84
3	UP05460	PULLEY, STARTER	1	€ 4,03
4	UP04237	SCREW, THREAD FORM (10-14 X 5/8") TORQUE SPECS 30-40 IN/LBS; 3.4-4.5 NM	1	€ 1,03
5	UP04089	WASHER, RETAINING	1	€ 2,47
6	UP04216	GRIP, STARTER	1	€ 1,87
7	UP03911	ROPE, STARTER 46"	1	€ 1,18
8	UP04192	BAFFLE, FAN HOUSING	1	€ 4,50
9	UP05850	ROTOR & STARTER PAWL	1	€ 18,49
10	UP07865	IGNITION KIT (33CC MODELS); INCLUDES ITEM 11	1	€ 18,18
10	UP05851	IGNITION KIT BOTH KITS INCLUDE:	1	€ 53,12
11	UP04086	SCREW, THREAD FORM (8-32 X 5/8") TORQUE SPECS 30-40 IN/LBS; 3.4-4.5 NM	2	€ 2,25
12	UP05875	SPARK PLUG TORQUE SPECS 120-180 IN/LBS; 13.6-20,3 NM	1	€ 4,78
13	UP04222	IGNITION SWITCH HARNESS	1	€ 3,00
14	UP04215	GROMMET, WIRE HARNESS (SPLIT)	1	€ 0,46
15	UP04241	WASHER, FLAT	1	€ 1,21
16	UP04081	NUT, JAM TORQUE SPECS 100-150 IN/LBS; 11.3-16.9 NM	1	€ 0,16
17	UP04236	SCREW, TRUSS HD. (10-14 X 7/8") TORQUE SPECS 30-40 IN/LBS; 3.4-4.5 NM	2	€ 1,03
18	UP04237	SCREW, TRUSS HD. (10-14 X 5/8") TORQUE SPECS 30-40 IN/LBS; 3.4-4.5 NM	2	€ 1,03

**PRICES ARE SUBJECT TO CHANGE WITHOUT NOTICE**

RQ\* ... ON REQUEST

NLA\* ... NO LONGER AVAILABLE

TBO\* ... TO BE OBSOLETE